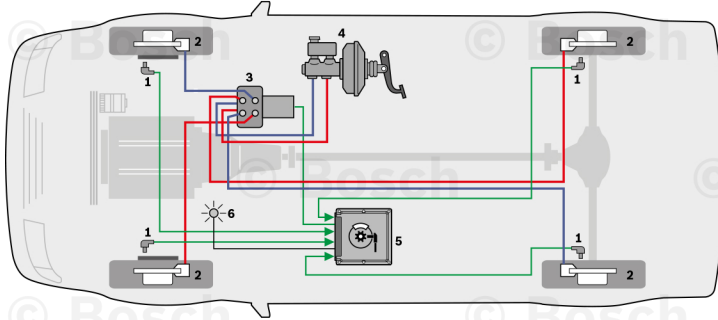


Brake Systems for Passenger Cars

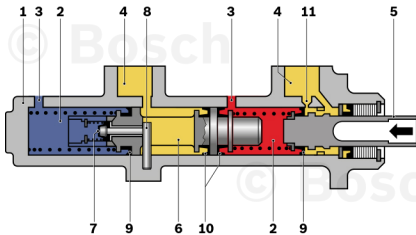
Hydraulic dual-circuit brake system with antilock braking system (ABS)



- 1 Wheel-speed sensors
- 2 Wheel brakes (disc brakes, drum brakes also possible on the rear axle)
- 3 Hydraulic modulator (for antilock braking facility or driving-dynamics control system)
- 4 Control device with brake booster and dual-circuit brake master cylinder
- 5 Control unit (can be directly mounted on the hydraulic modulator)
- 6 ABS warning lamp

Control device

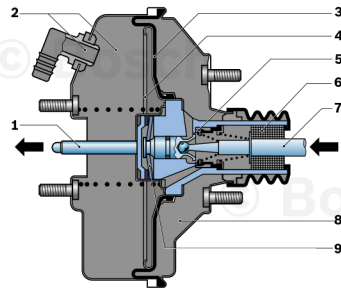
Dual-circuit brake master cylinder with central valve in the secondary circuit



- 1 Cylinder housing
- 2 Pressure chamber
- 3 Pressure connection
- 4 Connection for brake-fluid reservoir
- 5 Push rod (input force of the brake booster)
- 6 Intermediate piston
- 7 Central valve
- 8 Stop for central valve
- 9 Primary cup seal
- 10 Separating cup seal
- 11 Balancing port

Control device

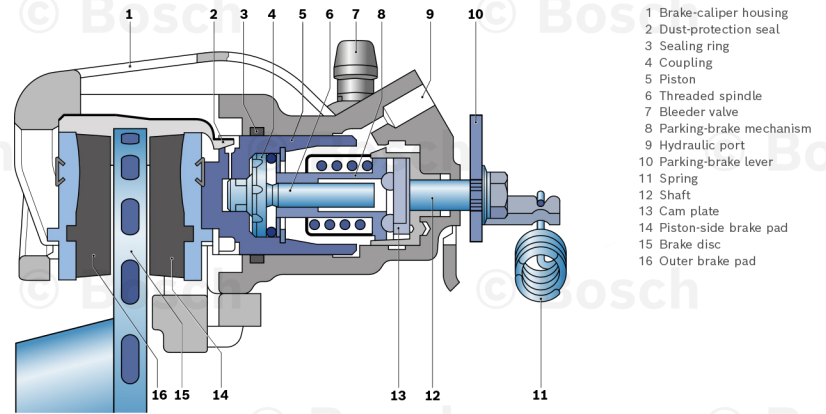
Vacuum-operated brake booster



- 1 Push rod (output force to brake master cylinder)
- 2 Vacuum chamber with vacuum connection
- 3 Diaphragm
- 4 Working piston
- 5 Double valve
- 6 Air filter
- 7 Piston rod (pedal force)
- 8 Working chamber
- 9 Backing plate

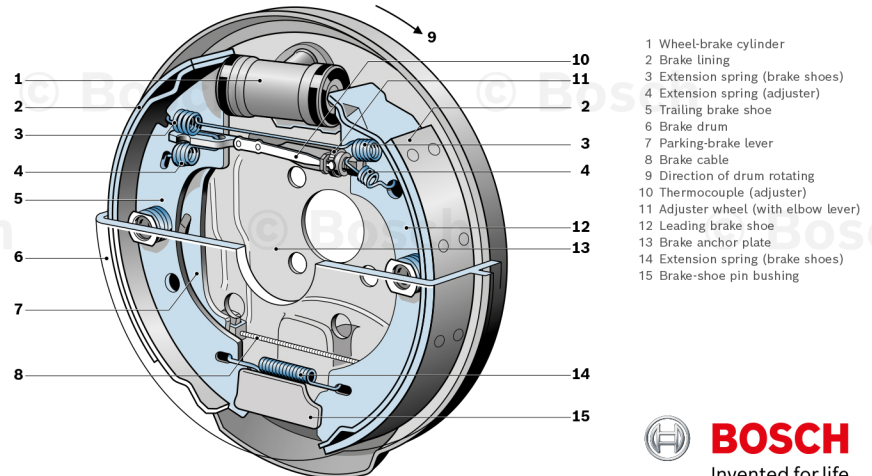
Wheel brakes

Floating-caliper brake with parking-brake mechanism



- 1 Brake-caliper housing
- 2 Dust-protection seal
- 3 Sealing ring
- 4 Coupling
- 5 Piston
- 6 Threaded spindle
- 7 Bleeder valve
- 8 Parking-brake mechanism
- 9 Hydraulic port
- 10 Parking-brake lever
- 11 Spring
- 12 Shaft
- 13 Cam plate
- 14 Piston-side brake pad
- 15 Brake disc
- 16 Outer brake pad

Simplex drum brake with integrated parking brake



- 1 Wheel-brake cylinder
- 2 Brake lining
- 3 Extension spring (brake shoes)
- 4 Extension spring (adjuster)
- 5 Trailing brake shoe
- 6 Brake drum
- 7 Parking-brake lever
- 8 Brake cable
- 9 Direction of drum rotating
- 10 Thermocouple (adjuster)
- 11 Adjuster wheel (with elbow lever)
- 12 Leading brake shoe
- 13 Brake anchor plate
- 14 Extension spring (brake shoes)
- 15 Brake-shoe pin bushing